



REV.	Change Content	Date
A	Initial Release	APR.09.2020
B	Updated content	APR.21.2020
C	Change the USB HOUSING	MAY.29.2020
D	Updated content	SEP.16.2020

NOTES: UNLESS OTHERWISE SPECIFIED

1. THIS COMPONENT CONFORMS TO UL60950.

	WARNING:	THIS COMPONENT IS RECOGNIZED BY ONE OR MORE SAFETY AGENCIES SUCH AS UL, VDE, CSA AND/OR TUV. ALL ENGINEERING CHANGES MUST HAVE PRIOR APPROVAL BY THE DESIGN CENTER QUALITY DEPARTMENT FOR SAFETY AGENCY COMPLIANCE.	ECN APPROVAL:
			QA APPROVAL:
			DATE:

	NOTICE:	THIS IS A RoHS COMPLIANT COMPONENT/PRODUCT. ALL ENGINEERING CHANGES MUST HAVE PRIOR APPROVAL BY THE DESIGN CENTER.

3. ELECTRICAL CHARACTERISTICS:

- 3-1. CURRENT RATING: 0.1 AMPERES MAXIMUM
- 3-2. VOLTAGE RATING: 48 VAC MAXIMUM
- 3-3. INSULATION RESISTANCE: 500 MEGOHMS MINIMUM
- 3-4. DIELECTRIC WITHSTANDING VOLTAGE: 2250 VDC CONTACT TO SHIELD

4. MECHANICAL

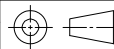
- 4-1. MATING FORCE: 5 POUNDS MAXIMUM WITH LATCH
DEPRESSED AT AN ADVANTAGEDOUS ANGLE
UNMATING FORCE: 5 POUNDS MAXIMUM WITH LATCH
DEPRESSED AT AN ADVANTAGEDOUS ANGLE
PLUG RETENTION FORCE: 10 POUNDS MINIMUM
- 4-2. DURABILITY (MATING/UNMATING): 750 CYCLES
- 4-3. INSERTION FORCE OF PCB RETENTION POSTS: 15 POUNDS MAX
- 4-4. OPERATING TEMPERATURE RANGE: 0 TO +70°C
- 4-5. STORAGE TEMPERATURE RANGE: -40 TO +85°C
- 4-6. SOLDER CONDITION: WAVE SOLDER 265±5°C FOR 10 SECONDS MAX

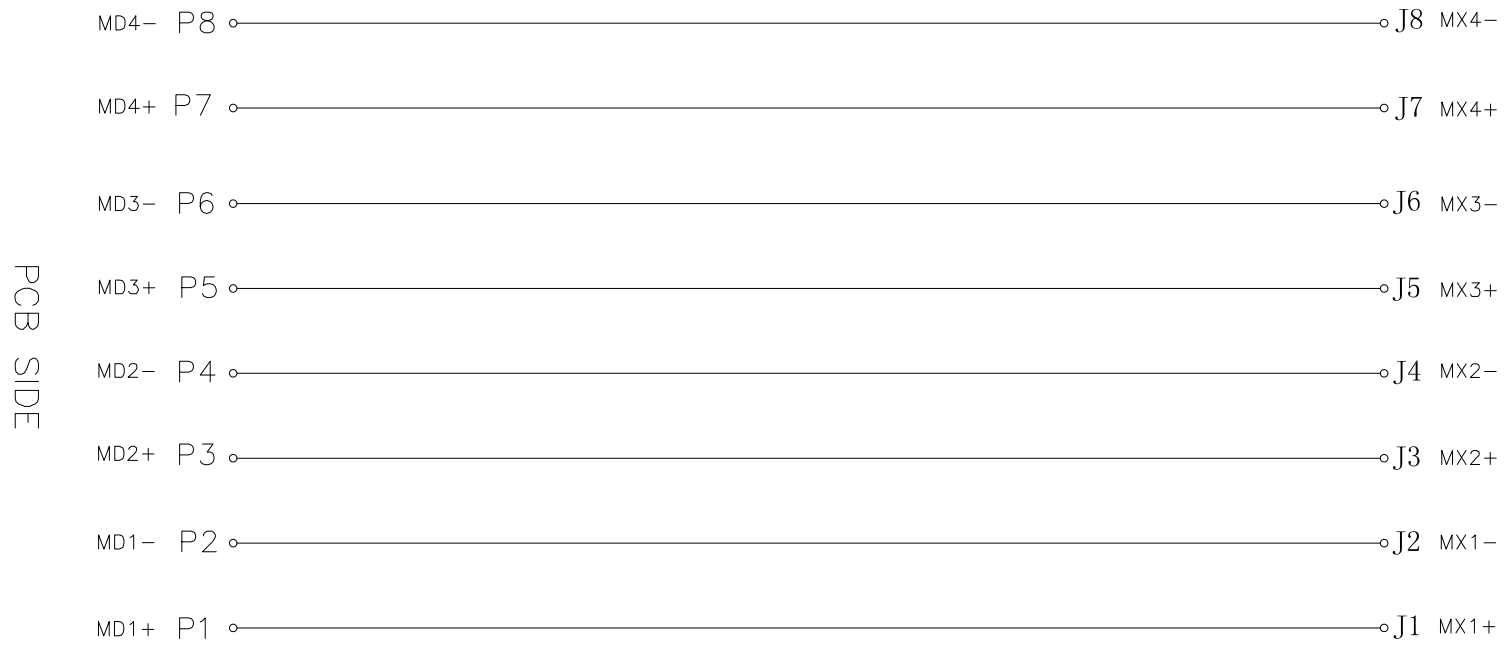
5. MATERIAL

- 5-1. RJ45 HOUSING: THERMOPLASTIC UL 94V-0. PA66, BLACK
- 5-2. USB HOUSING: THERMOPLASTIC UL 94V-0. PBT, BLUE
- 5-3. SHIELD: BRASS
- 5-4. CONTACT BASE MATERIAL: PHOSPHOR BRONZE
- 5-5. CONTACT UNDERPLATE: 30-50 MICROINCHES DUCTILE NICKEL
- 5-6. CONTACT PLATING: GOLD, 30 MICROINCHS MIN IN CONTACT AREA
- 5-7. CONTACT STRUCTURE: SECONDARY BEND
- 5-8. SOLDER TAIL PLATING MATERIAL: 100-200 MICROINCHS MATTE TIN MIN OVER 50 MICROINCHS NICKEL, MATTE FINISH
- 5-9. SHIELD PIN: SOLDER WITH MATTE TIN

6. JACK CAVITY CONFORMS TO FCC RULES AND REGULATIONS PART 68 SUBPART F

- 7. PCB PLATING: EG (TOP PCB)
ENIG (BOTTOM PCB)
- 8. JEDEC MOISTURE: LEVEL 1.
- 9. REVISION: MX1, MX2, ARE PRELIMINARY.

X.	±0.50 [.020]	X ° ± 1°	UNITS mm [INCH]	NAME (INTENDED USE)	CZT YI HUA COMMUNICATED CONNECTOR CO., LTD.
.X	±0.35 [.014]	X ° ± 1°	MAT'L	CUSTOMER	
.XX	±0.25 [.010]	.XX ° ± 1°	N/A	PART NO. (INTENDED USE)	TITLE:
.XXX	±0.10 [.004]	.XXX ° ± 1°	FINISH	JBP110972800	RJ45 CONNECT W/O TRANSFORMER, 1X1 W/USB3.0 PASSIVE, W/O LED, 1000Base-T
THESE DRAWINGS AND SPECIFICATIONS ARE THE PROPERTY OF YI HUA COMMUNICATED CONNECTOR CO., LTD. AND SHALL NOT BE REPRODUCED COPIED OR USED IN ANY MANNER WITHOUT THE PRIOR WRITTEN CONSENT OF YI HUA COMMUNICATED CONNECTOR CO., LTD.				APPD: TOPUP.LIU	DWG NO.:
			Q'TY	CHKD: LIANGZHIXIAO	
			N/A	DR: CHENLINGJUAN	
					SCALE SHEET REV.
				N/A	1/5 D

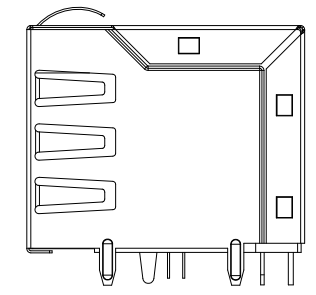
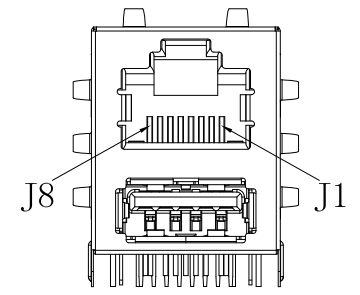
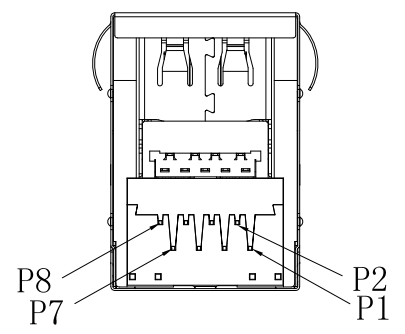
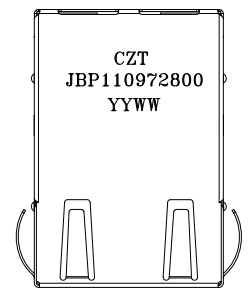



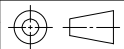
SCHEMATIC

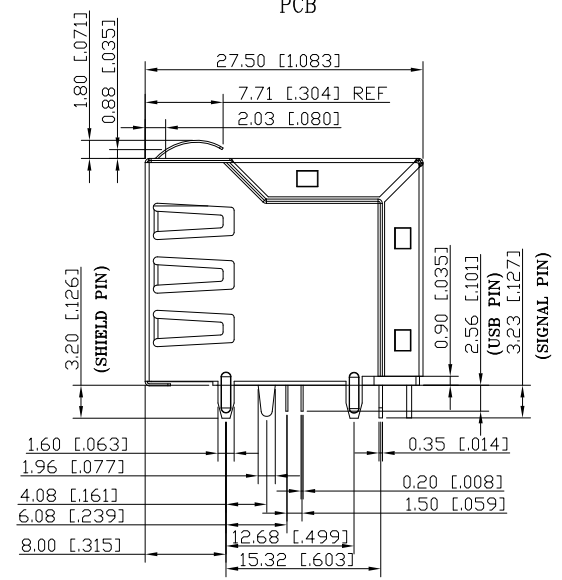
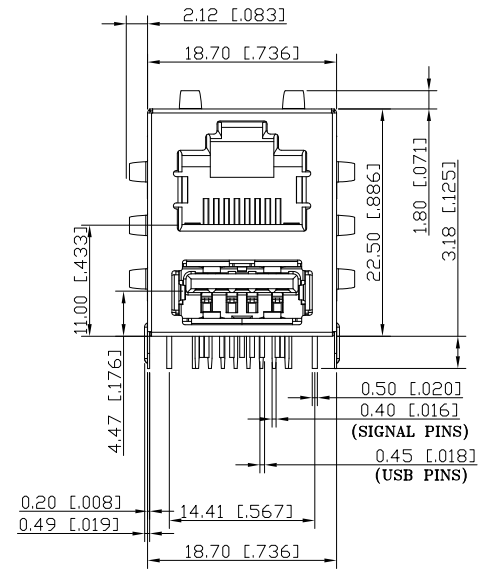
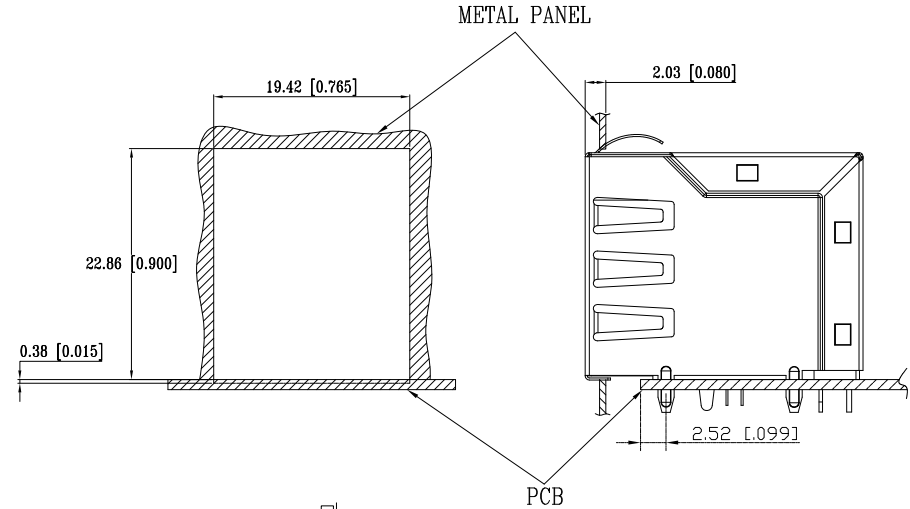
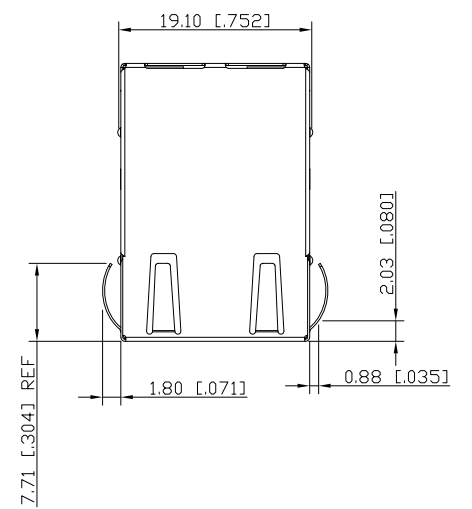
Electronical Specifications:

- 1. 0 DIELECTRIC WITHSTAND: (P1/P3/P5/P7) : (P2/P4/P6/P8) : 500VAC
- 2. 0 DC RESISTANCE: (P1~J1) : (P2~J2) : (P3~J3) : (P4~J4) : (P5~J5) : (P6~J6) : (P7~J7) : (P8~J8) : 1. 0 OHMS MAX

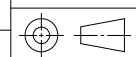
X.	±0.50 [.020]	X ° ± 1°	UNITS mm [INCH]	NAME(INTENDED USE)	 YI HUA COMMUNICATED CONNECTOR CO., LTD.
.X	±0.35 [.014]	X ° ± 1°	MAT'L	CUSTOMER	
.XX	±0.25 [.010]	.XX ° ± 1°	N/A	PART NO.(INTENDED USE)	TITLE:
.XXX	±0.10 [.004]	.XXX ° ± 1°	FINISH	JBP110972800	RJ45 CONNECT W/O TRANSFORMER, 1X1 W/USB3.0 PASSIVE,W/O LED,1000Base-T
<small>THESE DRAWINGS AND SPECIFICATIONS ARE THE PROPERTY OF YI HUA COMMUNICATED CONNECTOR CO., LTD. AND SHALL NOT BE REPRODUCED COPIED OR USED IN ANY MANNER WITHOUT THE PRIOR WRITTEN CONSENT OF YI HUA COMMUNICATED CONNECTOR CO., LTD.</small>				APPD: TOPUP.LIU	DWG NO.:
				Q'TY	
				CHKD: LIANGZHIXIAO	
				DR: CHENLINGJUAN	
					SCALE SHEET REV.
				N/A	2/5 D

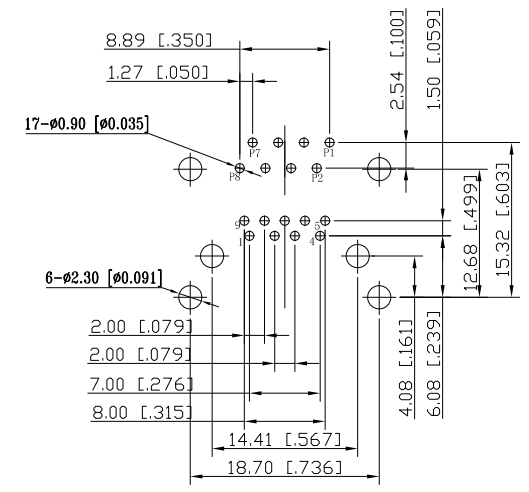
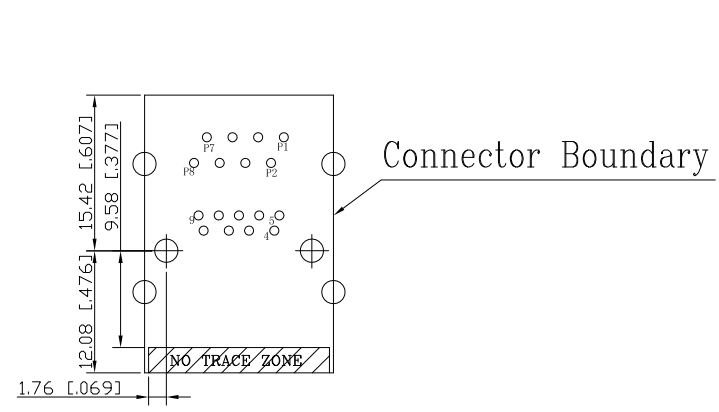


X.	±0.50 [.020]	X ° ± 1°	UNITS mm [INCH]	NAME (INTENDED USE)	 YI HUA COMMUNICATED CONNECTOR CO., LTD.
.X	±0.35 [.014]	X ° ± 1°	MAT'L	CUSTOMER	
.XX	±0.25 [.010]	.XX ° ± 1°	N/A	PART NO. (INTENDED USE)	TITLE:
.XXX	±0.10 [.004]	.XXX ° ± 1°	FINISH	JBP110972800	RJ45 CONNECT W/O TRANSFORMER, 1X1 W/USB3.0 PASSIVE, W/O LED, 1000Base-T
THESE DRAWINGS AND SPECIFICATIONS ARE THE PROPERTY OF YI HUA COMMUNICATED CONNECTOR CO., LTD. AND SHALL NOT BE REPRODUCED COPIED OR USED IN ANY MANNER WITHOUT THE PRIOR WRITTEN CONSENT OF YI HUA COMMUNICATED CONNECTOR CO., LTD.			Q'TY	APPD: TOPUP.LIU	DWG NO.:
			N/A	CHKD: LIANGZHIXIAO	
			N/A	DR: CHENLINGJUAN	
					SCALE SHEET REV. N/A 3/5 D



X.	±0.50 [0.020]	X ° ± 1°	UNITS mm [INCH]	NAME (INTENDED USE)	CZT YI HUA COMMUNICATED CONNECTOR CO., LTD.			
.X	±0.35 [0.014]	X ° ± 1°	MAT'L	CUSTOMER				
.XX	±0.25 [0.010]	.XX ° ± 1°	N/A	PART NO. (INTENDED USE)	TITLE:			
.XXX	±0.10 [0.004]	.XXX ° ± 1°	FINISH	JBP110972800	RJ45 CONNECT W/O TRANSFORMER, 1X1 W/USB3.0 PASSIVE, W/O LED, 1000Base-T			
THESE DRAWINGS AND SPECIFICATIONS ARE THE PROPERTY OF YI HUA COMMUNICATED CONNECTOR CO., LTD. AND SHALL NOT BE REPRODUCED COPIED OR USED IN ANY MANNER WITHOUT THE PRIOR WRITTEN CONSENT OF YI HUA COMMUNICATED CONNECTOR CO., LTD.				APPD: TOPUP.LIU	DWG NO.:			
				Q'TY	CHKD: LIANGZHIXIAO	SCALE	SHEET	REV.
				N/A	DR: CHENLINGJUAN	N/A	4/5	D





PIN NO.	P1	P2	P3	P4	P5	P6	P7	P8
SIGNAL NAME	MD1+	MD1-	MD2+	MD2-	MD3+	MD3-	MD4+	MD4-
PIN NO.	1	2	3	4	5	6	7	8
SIGNAL NAME	VBUS	D-	D+	GND	SSRX-	SSRX+	GND-DRAIN	SSTX-SSTX+

RECOMMENDED PCB LAYOUT
(VIEWED FROM COMPERNENT SIDE)

X.	±0.25 [0.010]	X ° ± 1°	UNITS mm [INCH]	NAME (INTENDED USE)	CZT YI HUA COMMUNICATED CONNECTOR CO., LTD.
.X	±0.10 [0.004]	X ° ± 1°	MAT'L	CUSTOMER	
.XX	±0.05 [0.002]	.XX ° ± 1°	N/A	PART NO. (INTENDED USE)	TITLE:
.XXX	±0.03 [0.001]	.XXX ° ± 1°	FINISH	JBP110972800	RJ45 CONNECT W/O TRANSFORMER, 1X1 W/USB3.0 PASSIVE, W/O LED, 1000Base-T
THESE DRAWINGS AND SPECIFICATIONS ARE THE PROPERTY OF YI HUA COMMUNICATED CONNECTOR CO., LTD. AND SHALL NOT BE REPRODUCED COPIED OR USED IN ANY MANNER WITHOUT THE PRIOR WRITTEN CONSENT OF YI HUA COMMUNICATED CONNECTOR CO., LTD.				APPD: TOPUP.LIU	DWG NO.:
				Q'TY	
				CHKD: LIANGZHIXIAO	
				DR: CHENLINGJUAN	
					SCALE SHEET REV.
					N/A 5/5 D