

CZT

SPECIFICATION FOR APPROVAL

CUSTOMER _____

CUSTOMER'S PART NO. _____ REV. _____

DESCRIPTION RJ45+USB Passive Jack

CZT'S PART NO. JBPU11470037 REV. B

ISSUE NO. _____

ISSUE DATE MAR.10,2020

<input type="checkbox"/> APPROVED	<input type="checkbox"/> REJECTED:
<input type="checkbox"/> APPROVED UNDER THE CONDITIONS:	

SuZhou Yihua Communicated Connector Co., Ltd.

Add: No.1558, Linhu East Road, Foho New&Hi-tech industrial Development Zone,
Wujiang,Jiangsu,P.R.C.

TEL:+86-512-82078810

FAX:+86-512-82078858

DongGuan Yizhao Electronic Co., Ltd.

Add: Yihua Holdings Industrial park, Cuntou district, Hu'men Town,
Dongguan,Guangdong,P.R.C.

TEL:+86-769-8624 0111

FAX:+86-769-8624 0238

Note:

1. This specification is the proprietary of Yihua Communicated Connector Co., Ltd. and is not allowed to be revealed to third party without any written approval.
2. This specification is valid within 1 year before approval, and for any updated specification information required, please contact with CZT's sales window before order releases.

CZT

SPECIFICATION FOR APPROVAL

2. Revision Change Record

Customer Part No.:					Rev.: B
CZT Part No.: JBPU11470037					
Part Name: RJ45+MicroUSB Passive Jack					
Rev	Description	Drawn	Designed	Approved	Issue Date
A	Specification issued	ChenLingjuan	ZhangChao	Topup.Liu	SEP.20 2017
B	<p>Change From:</p> <p>4. THE PART IS RECOMMENDED FOR WAVE SOLDERING PROCESS PEAK SOLDERING TEMPERATURE IS 260° C MAX, 10 SECS MAX</p> <p>To:</p> <p>4. THE PART IS RECOMMENDED FOR IR REFLOW PROCESS PEAK SOLDERING TEMPERATURE IS 245° C MAX, 10 SECS MAX</p>	ChenLingjuan	ZhangChao	Topup.Liu	MAR.10 2020

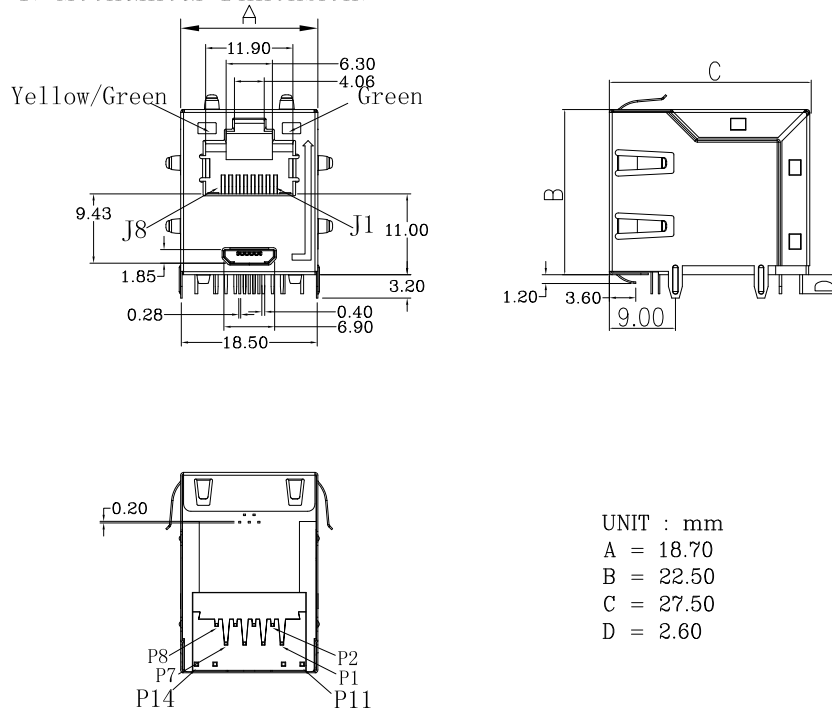
CZT

SPECIFICATION FOR APPROVAL

Customer Part No.: CZT Part No.: JBPU11470037 Part Name: RJ45+MicroUSB Passive Jack	Rev.: B 
---	--

4. Mechanical Dimension and Notes:

4-1. Mechanical Dimension:



UNIT : mm
A = 18.70
B = 22.50
C = 27.50
D = 2.60

Unless otherwise specified, all dimensions tolerances is ± 0.254 .

4-2. Notes:

- CONNECTOR MATERIAL:
 - RJ45
HOUSING: LCP BLACK UL94 V-0
SHIELD: Brass
SHIELD PLATING: NICKEL 50-80 MICRO-INCHS IN CONTACT AREA
CONTACT: PHOSPHOR BRONZE
CONTACT PLATING: SELECTIVE GOLD, 50 MICRO-INCHS MIN IN CONTACT AREA
 - MICROUSB
HOUSING: LCP BLACK UL94 V-0
CONTACT: PHOSPHOR BRONZE
CONTACT PLATING: SELECTIVE GOLD, 30 MICRO-INCHS MIN IN CONTACT AREA
- PIN NOT ELECTRICALLY CONNECTED MAYBE OMITTED SEE ELECTRICAL DRAWING FOR OMITTED PINS
Flat needle PIN PLATING: 50 MICROINCHES DUCTILE NICKEL
Flat needle PIN: SOLDER WITH MATTE TIN Thickness: 100 MICROINCHS MIN
- RJ45 CAVITIES CONFORM TO FCC RULES AND REGULATION PART 68.
- THE PART IS RECOMMENDED FOR IR REFLOW PROCESS PEAK SOLDERING TEMPERATURE IS 245° C MAX, 10 SECS MAX
- OPERATING TEMPERATURE T = -40° C TO +85° C.
- STORAGE TEMPERATURE T = -40° C TO +85° C.

LED SPECIFICATION (Highlight LED)				
STANDARD LED	WAVELENGTH	Forward Current	Forward V(max)	TYP
GREEN(雾状)	525nm	20 mA	2.4V	2.2V
YELLOW(雾状)	590nm	20 mA	2.5V	2.1V

RIGHT: GREEN/LUMINOUS INTENSITY(IV): 80-220 mcd
LEFT: BL-YELLOW/GREEN
YELLOW/LUMINOUS INTENSITY(IV): 20-70mcd
GREEN/LUMINOUS INTENSITY(IV): 70-220mcd

Drawn by ChenLingjuan	Designed by ZhangChao	Approved by Topup.Liu
--------------------------	--------------------------	--------------------------

CZT

SPECIFICATION FOR APPROVAL

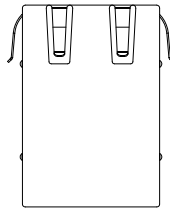
Customer Part No.:
CZT Part No.: JBPU11470037
Part Name: RJ45+MicroUSB Passive Jack

Rev.: B

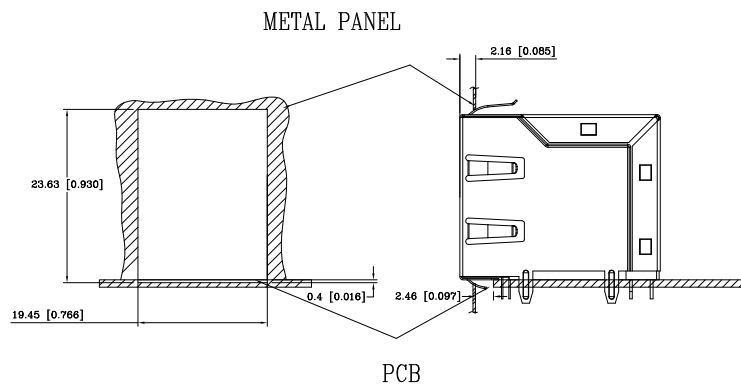


5. Label and Recommended PWB Layout and Suggested Panel Opening:
5-1. Label:

Plug In Side



5-2. Suggested Panel Opening:



UNIT: mm / inch
Tolerances: ± 0.10 / 0.004

REFERENCE ONLY

CZT

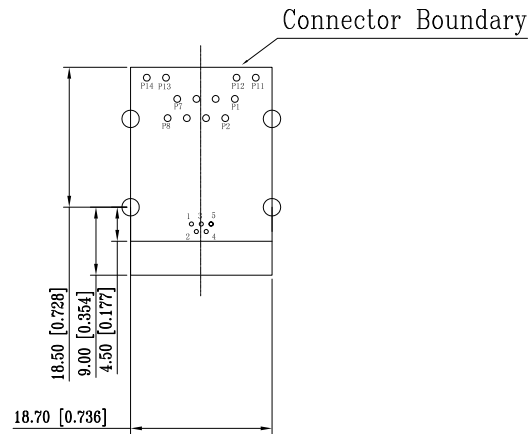
SPECIFICATION FOR APPROVAL

Customer Part No.:
 CZT Part No.: JBPU11470037
 Part Name: RJ45+MicroUSB Passive Jack

Rev.: B



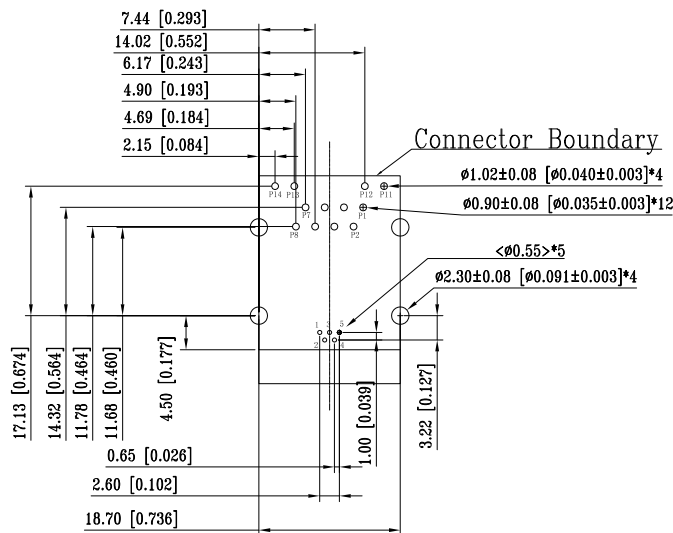
5-3. Keep-Out Area (Component Side View):



UNIT: mm / inch
 Tolerances: ± 0.10 / 0.004

Plug In Side

5-4. Recommended PWB Layout (Component Side View):



UNIT: mm / inch
 Tolerances: ± 0.10 / 0.004

Plug In Side

CZT

SPECIFICATION FOR APPROVAL

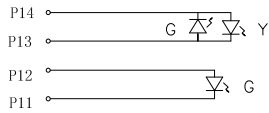
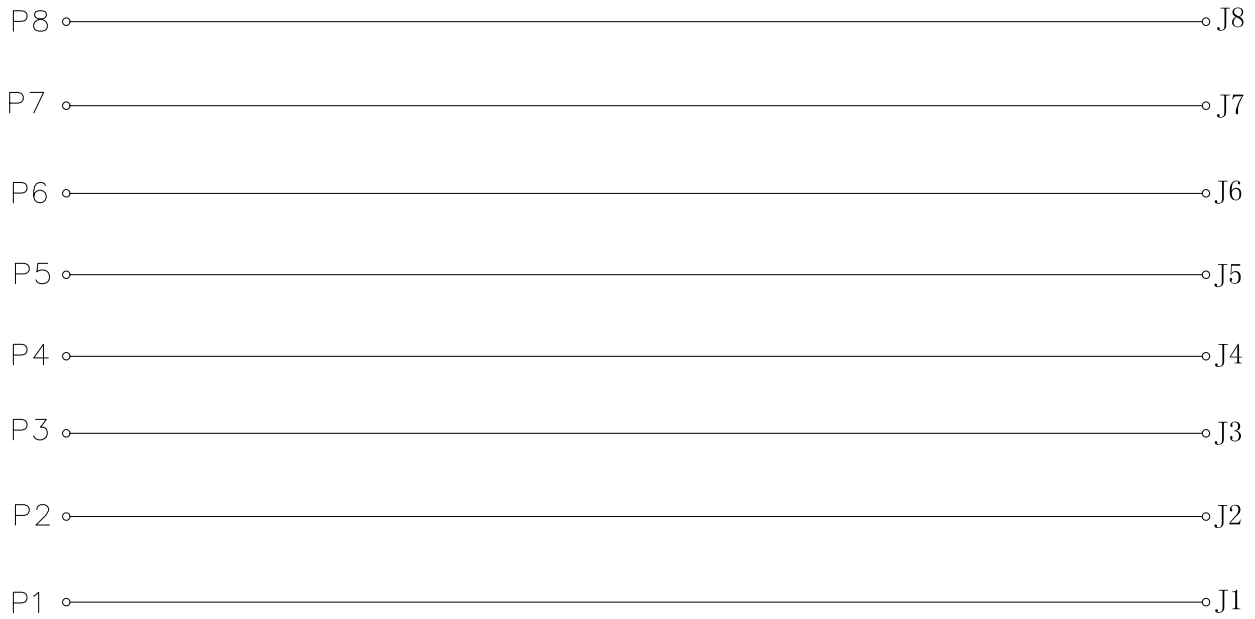
Customer Part No.:
 CZT Part No.: JBPU11470037
 Part Name: RJ45+MicroUSB Passive Jack

Rev.: B



6. Circuit Schematic and Electrical Specifications:

6-1. Circuit Schematic:



Pin	Green	Yellow	Green
P11	-	P13	+
P12	+	P14	-

6-2. Electrical Specifications:

1. 0 DIELECTRIC WITHSTAND: (P1/P3/P5/P7) : (P2/P4/P6/P8) : 500VAC

2. 0 DC RESISTANCE: (P1~J1) : (P2~J2) : (P3~J3) : (P4~J4) : (P5~J5) : (P6~J6) : (P7~J7) : (P8~J8) :

1. 0 OHMS MAX