

# CZT

## SPECIFICATION FOR APPROVAL

CUSTOMER \_\_\_\_\_

CUSTOMER'S PART NO. \_\_\_\_\_ REV. \_\_\_\_\_

DESCRIPTION RJ45 ICM (1000Base-T 1 Port)

CZT'S PART NO. JVG110560001 REV. A

ISSUE NO. \_\_\_\_\_

ISSUE DATE AUG.13,2011

<input type="checkbox"/> APPROVED	<input type="checkbox"/> REJECTED:
<input type="checkbox"/> APPROVED UNDER THE CONDITIONS:	

SuZhou Yihua Communicated Connector Co., Ltd.

Add: LinHu Road, Foho Economic Development Zone, Wujiang, Jiangsu, P.R.C.

TEL:+86-512-82078810

FAX:+86-512-82078858

DongGuan YiZhao Electronic Co., Ltd.

Add: Henggangtou Industry part, Chang'an Town, Dongguan, Guangdong, P.R.C.

TEL:+86-769-21051952/21051953

FAX:+86-769-85530890

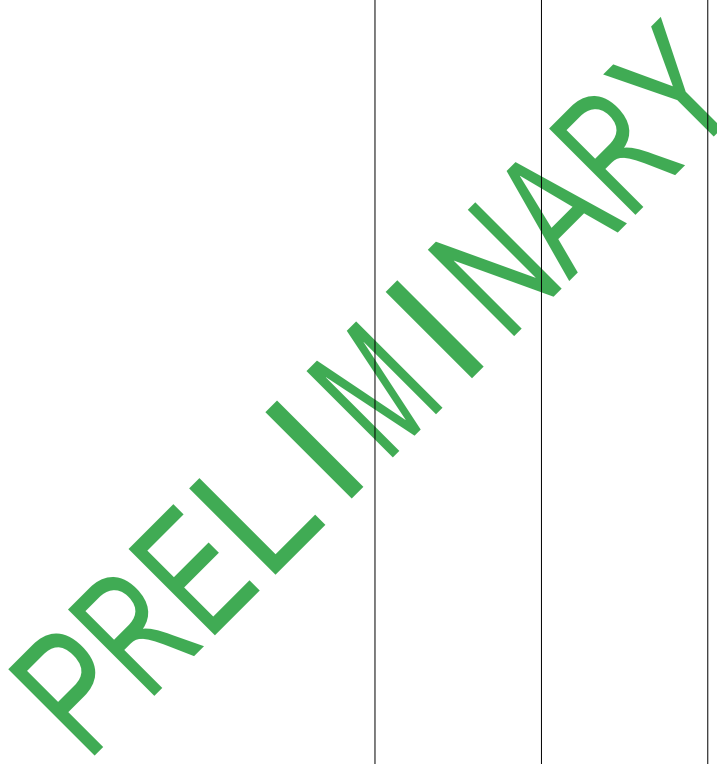
**Note:**

1. This specification is the proprietary of Yihua Communicated Connector Co., Ltd. and is not allowed to be revealed to third party without any written approval.
2. This specification is valid within 1 year before approval, and for any updated specification information required, please contact with CZT's sales window before order releases.

# CZT

## SPECIFICATION FOR APPROVAL

### 2. Revision Change Record

Customer Part No.: CZT Part No.: JVG110560001 Part Name: RJ45 ICM(1000Base-T 1Port)					Rev.: A
Rev	Description	Drawn	Designed	Approved	Issue Date
A	Specification issued	ZhangBeilei	SunWenqun	Topup.Liu	AUG.13 2011
					





# CZT

## SPECIFICATION FOR APPROVAL

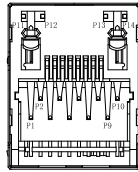
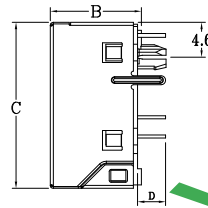
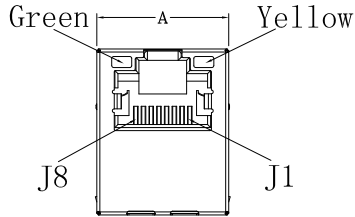
Customer Part No.:  
 CZT Part No.: JVG110560001  
 Part Name: RJ45 ICM(1000Base-T 1Port)

Rev.: A



### 4. Mechanical Dimension and Notes:

#### 4-1. Mechanical Dimension:



UNIT	mm	inch
A	17.45	0.687
B	12.05	0.474
C	21.95	0.864
D	3.20	0.126

Unless otherwise specified, all dimensions tolerances is  $\pm 0.254 / 0.010$ .

#### 4-2. Notes:

1. CONNECTOR MATERIAL:  
 HOUSING: THERMOPLASTIC BLACK UL94 V-0  
 SHIELD: Brass  
 SHIELD PLATING: NICKEL  
 CONTACT: COOPER ALLOY  
 CONTACT PLATING: SELECTIVE GOLD, 6 MICRO-INCHS MIN IN CONTACT AREA
2. PIN NOT ELECTRICALLY CONNECTED MAYBE OMITTED SEE ELECTRICAL DRAWING FOR OMITTED PINS
3. RJ45 CAVITIES CONFORM TO FCC RULES AND REGULATION PART 68.
4. THE PART IS RECOMMENDED FOR WAVE SOLDERING PROCESS PEAK SOLDERING TEMPERATURE IS 260° C MAX, 10 SECS MAX
5. OPERATING TEMPERATURE T=0° C TO +70° C.
6. STORAGE TEMPERATURE T=-40° C TO +85° C.

LED SPECIFICATION				
STANDARD LED	WAVELENGTH	Forward Current	Forward V(max)	TYP
GREEN	565nm	20 mA	2.4V	2.2V
YELLOW	590nm	20 mA	2.5V	2.1V

Drawn by  
ZhangBeilei

Designed by  
SunWenqun

Approved by  
Topup.Liu

# CZT

## SPECIFICATION FOR APPROVAL

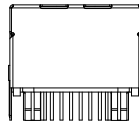
Customer Part No.:  
CZT Part No.: JVG110560001  
Part Name: RJ45 ICM(1000Base-T 1Port)

Rev.: A

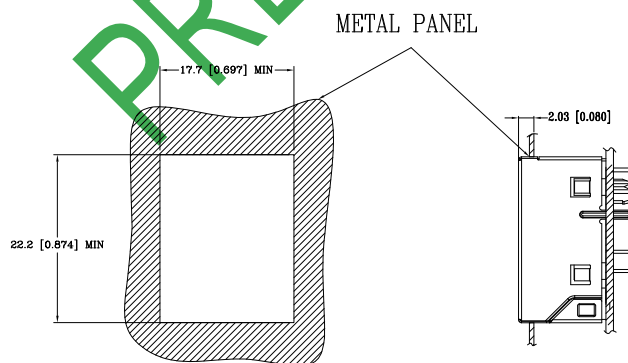


5. Label and Recommended PWB Layout and Suggested Panel Opening:  
5-1. Label:

Plug In Side



- 5-2. Suggested Panel Opening:



UNIT: mm / inch  
Tolerances:  $\pm 0.10$  / 0.004

REFERENCE ONLY

# CZT

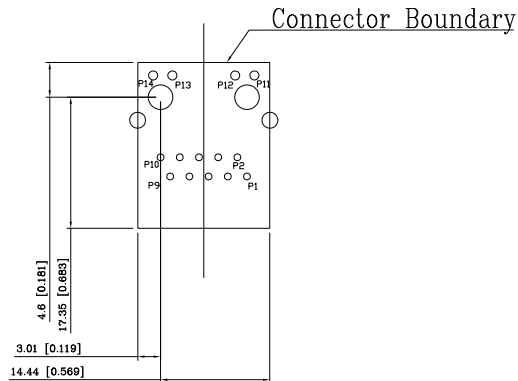
## SPECIFICATION FOR APPROVAL

Customer Part No.:  
CZT Part No.: JVG110560001  
Part Name: RJ45 ICM(1000Base-T 1Port)

Rev.: A



### 5-3. Keep-Out Area (Component Side View):

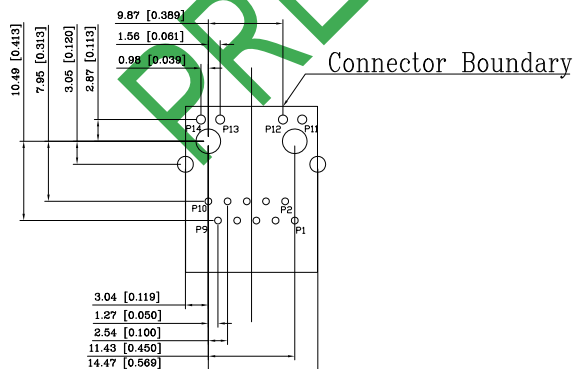


Plug In Side

UNIT: mm / inch

Tolerances:  $\pm 0.10$  / 0.004

### 5-4. Recommended PWB Layout (Component Side View):



Plug In Side

UNIT: mm / inch

Tolerances:  $\pm 0.10$  / 0.004

# CZT

## SPECIFICATION FOR APPROVAL

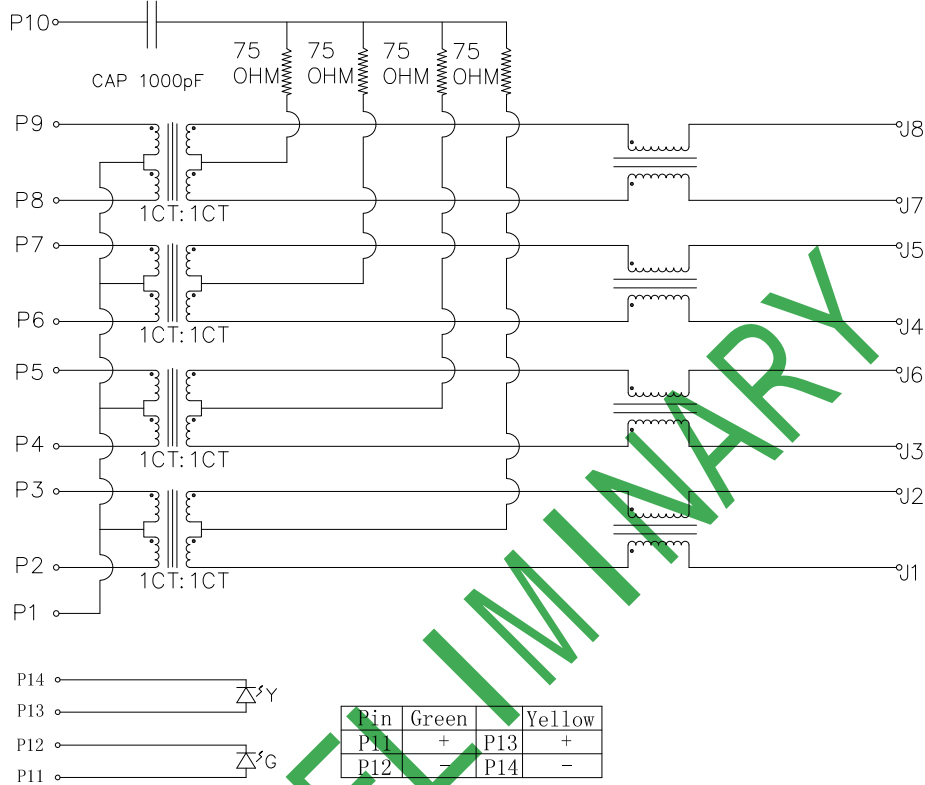
Customer Part No.:  
 CZT Part No.: JVG110560001  
 Part Name: RJ45 ICM(1000Base-T 1Port)

Rev.: A



### 6. Circuit Schematic and Electrical Specifications:

#### 6-1. Circuit Schematic:



#### 6-2. Electrical Specifications:

- 1.0 Turn Ratio @100KHz: (P2~P3):(J1~J2) = 1:1±5%  
 (P4~P5):(J3~J6) = 1:1±5%  
 (P6~P7):(J4~J5) = 1:1±5%  
 (P8~P9):(J7~J8) = 1:1±5%
- 2.0 Primary Inductance: 350uH MIN @100KHZ,0.1V 8mA DC BIAS
- 3.0 DC Resistance: 1.2 OHMS MAX
- 4.0 Insertion Loss: 1-100MHz -1.0dB MIN  
 100-125MHz -1.2dB MIN
- 5.0 Return Loss: 1-40MHz -16dB MAX  
 40-60MHz -12dB MAX  
 60-80MHz -10dB MAX  
 80-100MHz -8dB MAX
- 6.0 CROSS TALK: 1-100MHz -30dB MAX
- 7.0 COMMON TO COMMON MODE ATTENUATION: 1-100MHz -30dB MIN
- 8.0 Isolation: PHY Side to Line Side: 2250VDC