

CZT

SPECIFICATION FOR APPROVAL

CUSTOMER WURTH

CUSTOMER'S PART NO. _____ REV. _____

DESCRIPTION RJ45 ICM(1000Base-T 1Port)

CZT'S PART NO. JVG11061T015 REV. A

CZT OLD P/N _____

ISSUE NO. _____

ISSUE DATE SEP.22,2020

APPROVED

REJECTED:

APPROVED UNDER
THE CONDITIONS:

SuZhou Yihua Communicated Connector Co., Ltd.

**Add: No.1558, Linhu East Road, Foho New&Hi-tech industrial Development Zone,
Wujiang, Jiangsu, P.R.C.**

TEL:+86-512-82078810

FAX:+86-512-82078858

DongGuan Yizhao Electronic Co., Ltd.

Add: Yihua Holdings Industrial park, Cuntou district, Hu'men Town,

TEL:+86-769-8624 0111

FAX:+86-769-8624 0238

Note:

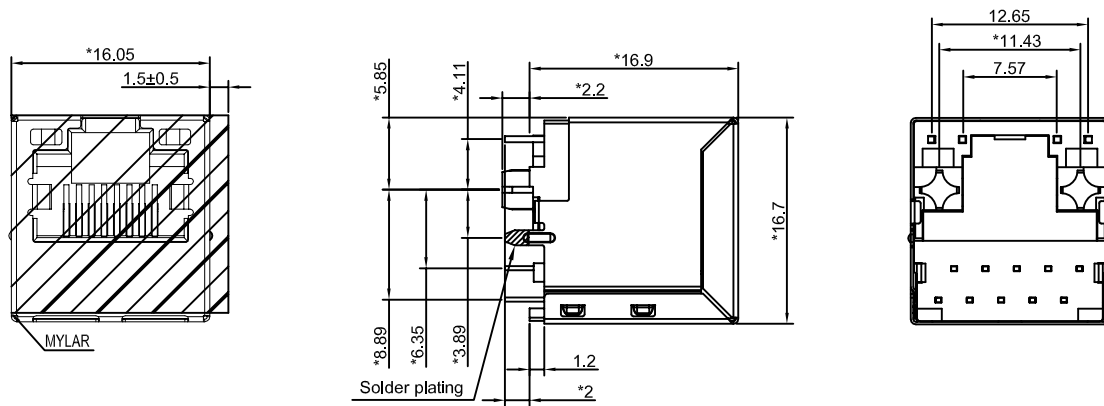
1. This specification is the proprietary of Yihua Communicated Connector Co., Ltd. and is not allowed to be revealed to third party without any written approval.
2. This specification is valid within 1 year before approval, and for any updated specification information required, please contact with CZT's sales window before order releases.

CZT

SPECIFICATION FOR APPROVAL

Customer Part No.: CZT Part No.: JVG11061T015 Part Name: RJ45 ICM(1000Base-T 1Port)	Rev.: A ROHS
--	-----------------------------------

4. Mechanical Dimension and Notes:
4-1. Mechanical Dimension:



Unless otherwise specified, all dimensions tolerances is ±0.254 .

4-2. Notes:

1. CONNECTOR MATERIAL:
 HOUSING: LCP BLACK UL94 V-0
 INSERT: LCP BLACK UL94 V-0
 SHIELD: Brass
 SHIELD PLATING: NICKEL
 CONTACT: COOPER ALLOY
 CONTACT PLATING: SELECTIVE GOLD, 30 MICRO-INCHS MIN IN CONTACT AREA
2. PIN NOT ELECTRICALLY CONNECTED MAYBE OMITTED SEE ELECTRICAL DRAWING FOR OMITTED PINS
3. RJ45 CAVITIES CONFORM TO FCC RULES AND REGULATION PART 68.
4. THE PART IS RECOMMENDED FOR IR REFLOW SOLDERING PROCESS PEAK SOLDERING TEMPERATURE IS 270° C MAX, 10 SECS MAX
5. OPERATING TEMPERATURE T=-40°C TO +85°C.
6. STORAGE TEMPERATURE T=-40°C TO +85°C.
7. ALL CRITICAL DIMENSIONS WITH "**"

LED SPECIFICATION			
STANDARD LED	WAVELENGTH	Forward V(max)	TYP
GREEN	565nm	2.4V	2.2V
YELLOW	590nm	2.5V	2.1V

*WITH A FORWARD CURRENT OF 20mA

Drawn	Designed	Approved
Alin Yao	/	David Chan

CZT

SPECIFICATION FOR APPROVAL

Customer Part No.:
CZT Part No.: JVG11061T015
Part Name: RJ45 ICM(1000Base-T 1Port)

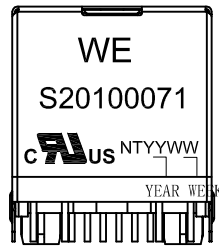
Rev.: A



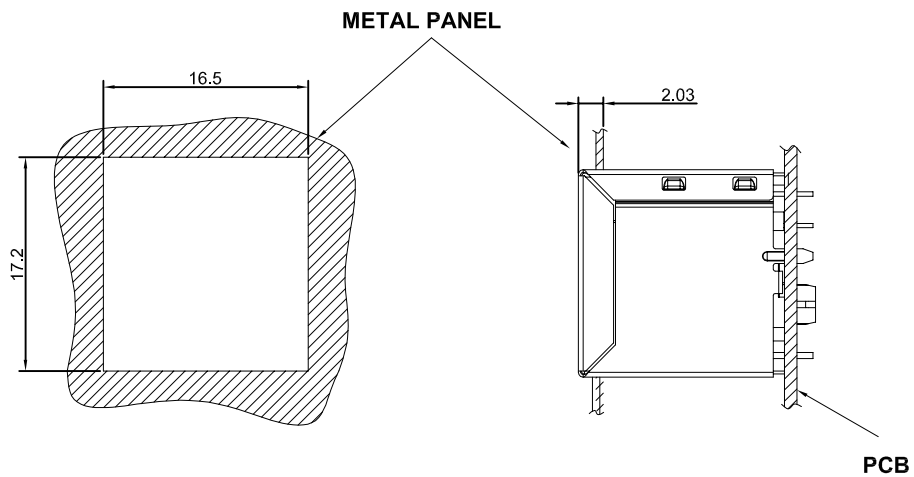
5. Label and Recommended PWB Layout and Suggested Panel Opening:

5-1. Label:

Plug In Side



5-2. Suggested Panel Opening:



UNIT: mm

Tolerances: ± 0.10

REFERENCE ONLY

CZT

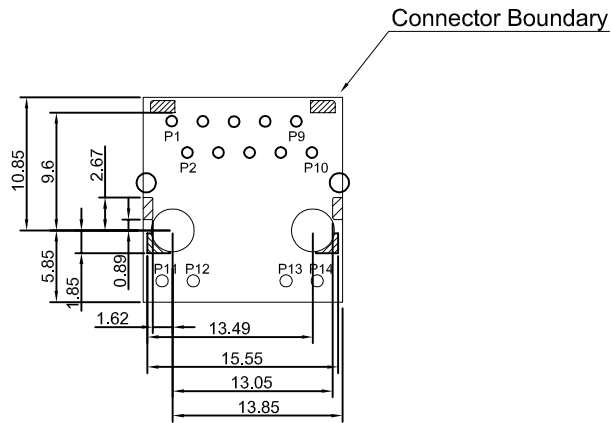
SPECIFICATION FOR APPROVAL

Customer Part No.:
 CZT Part No.: JVG11061T015
 Part Name: RJ45 ICM(1000Base-T 1Port)

Rev.: A



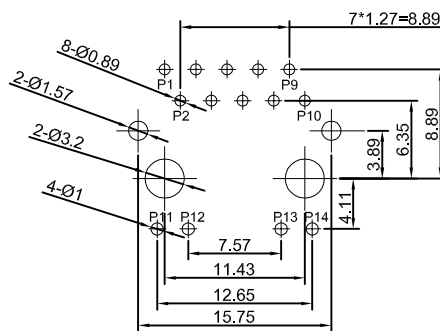
5-2 Keep-Out Area (Component Side View):



UNIT: mm

Tolerances: ± 0.10

5-3. Recommended PWB Layout (Component Side View):



UNIT: mm

Tolerances: ± 0.10

CZT

SPECIFICATION FOR APPROVAL

Customer Part No.:
 CZT Part No.: JVG11061T015
 Part Name: RJ45 ICM(1000Base-T 1Port)

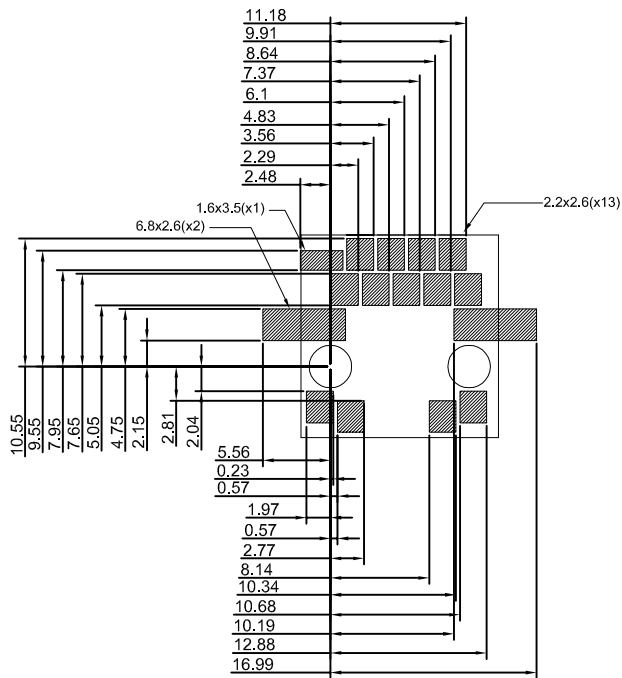
Rev.: A



5-4 .Recommended Stencil Design:

PCB thickness
= 1,6 mm

Stencil thickness
= 0,2 mm



UNIT: mm

Tolerances: ± 0.10

CZT

SPECIFICATION FOR APPROVAL

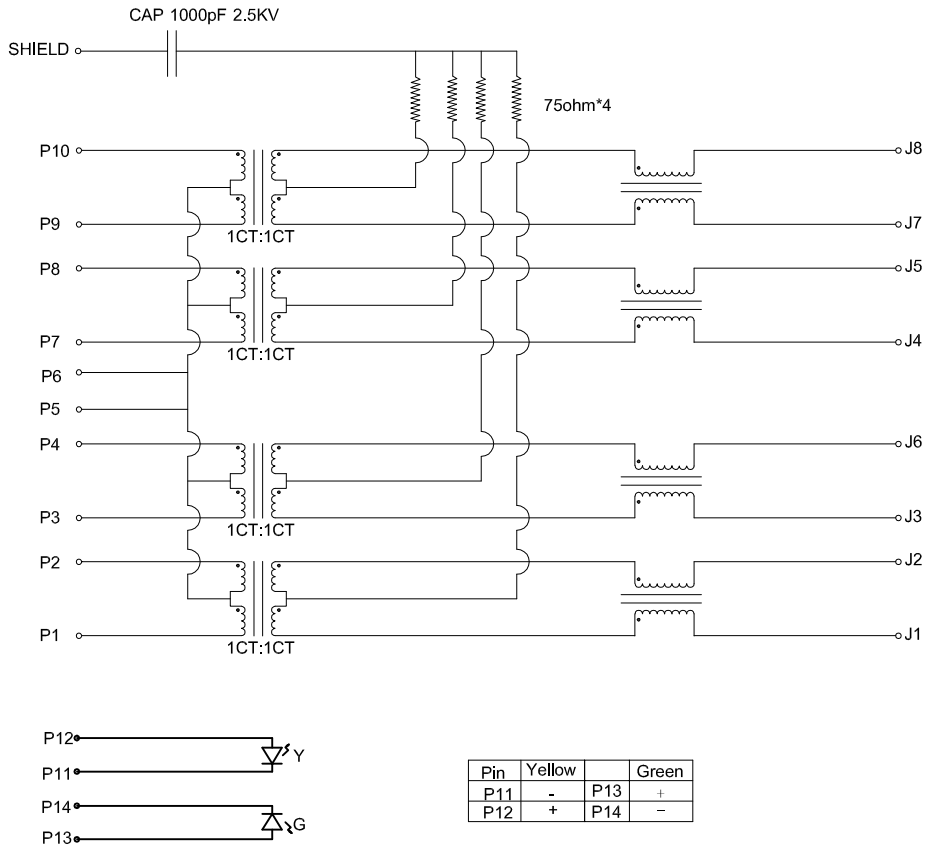
Customer Part No.:
 CZT Part No.: JVG11061T015
 Part Name: RJ45 ICM(1000Base-T 1Port)

Rev.: A



6. Circuit Schematic and Electrical Specifications:

6-1. Circuit Schematic:



6-2. Electrical Specifications:

- 1.0 Turn Ratio @100KHz: (P1~P2):(J1~J2) = 1:1±5%
 (P3~P4):(J3~J6) = 1:1±5%
 (P7~P8):(J4~J5) = 1:1±5%
 (P9~P10):(J7~J8) = 1:1±5%
- 2.0 Primary Inductance: 350uH MIN @100KHZ,0.1V 8mA DC BIAS
- 3.0 DC Resistance:(J1~J2):(J3~J6) 1.2 OHMS MAX
- 4.0 Insertion Loss: 1-100MHz -1.2dB MAX
- 5.0 Return Loss: 1-30MHz -16dB MIN
 30-60MHz -14dB MIN
 60-80MHz -12dB MIN
 80-100MHz -10dB MIN
- 6.0 CROSS TALK: 1-60MHz -33dB MIN
 60-100MHz -30dB MIN
- 7.0 COMMON TO COMMON MODE ATTENUATION:
 1-30MHz -36dB MIN
 30MHz-60MHz -33dB MIN
 60MHz-100MHz -30dB MIN
- 8.0 Isolation: PHY Side to Line Side: 2250VDC